

aquatica®

*Function, Form & Fashion*



*Lorena-S-217*  
7.75" Sink Faucet

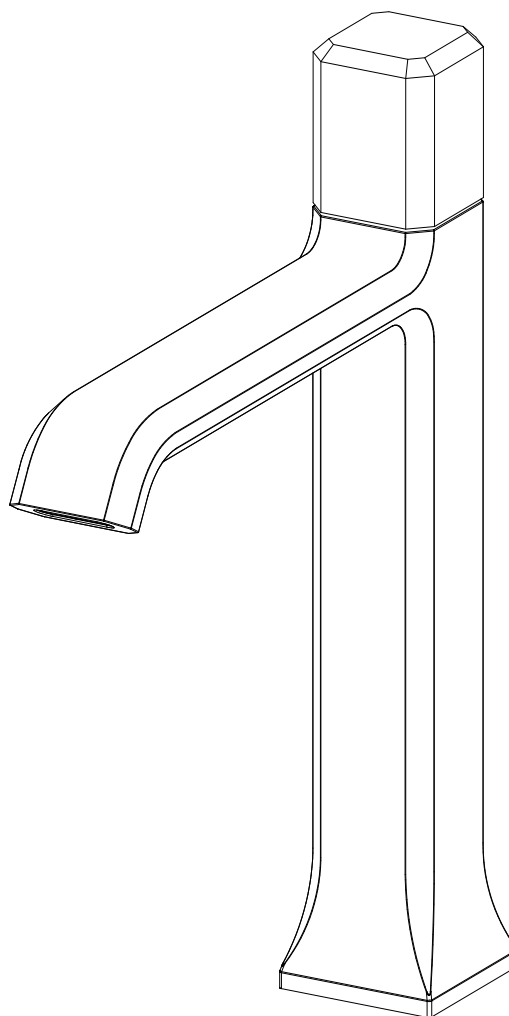
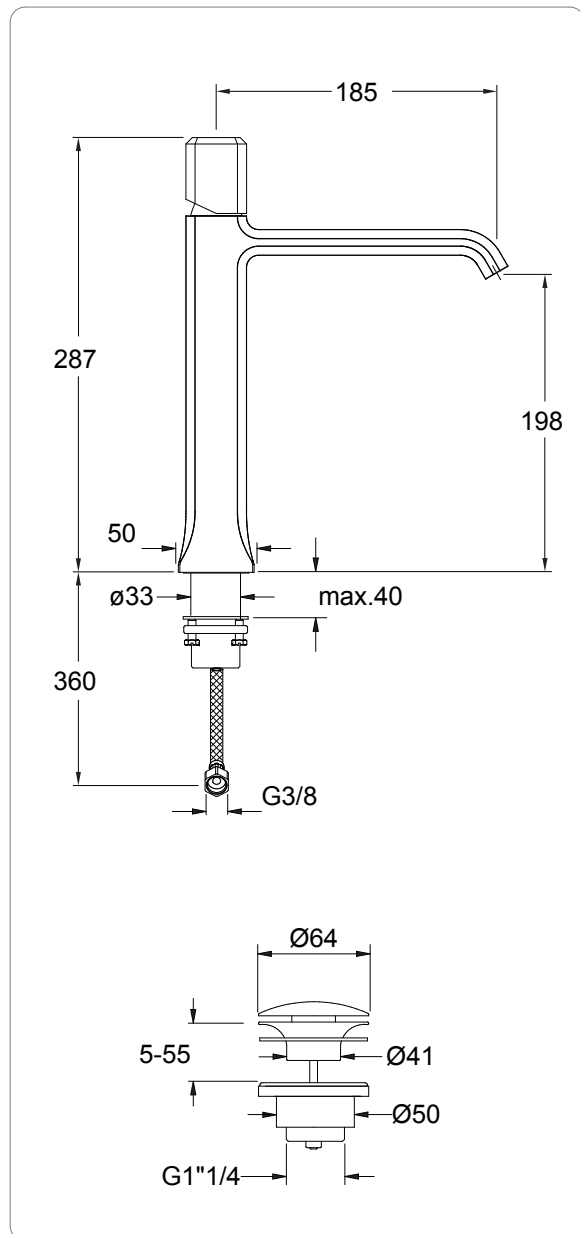
Installation & Care Manual  
Europe / International

# Lorena-S-217

## 7.75" Sink Faucet

### PARTS LIST

 MEASUREMENTS: mm



### SPECIFICATIONS

Recommended operational pressure .....	1-5 bar
Maximum test pressure .....	16 bar
Maximum hot water temperature .....	70 °C
Recommended temperature .....	50-60 °C
Pressure difference between hot and cold water .....	max. 1,5 bar

### IMPORTANT NOTE

- Installation to be performed by qualified personnel
- Before connecting to mains, bleed the pipes to avoid damage.



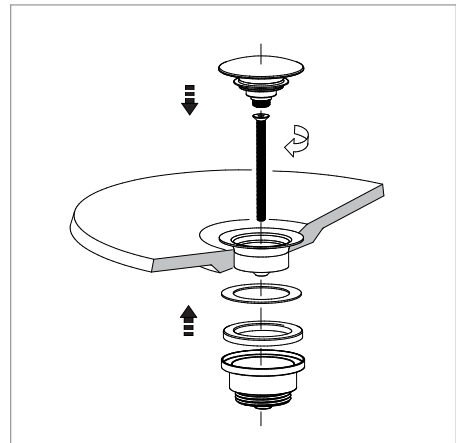
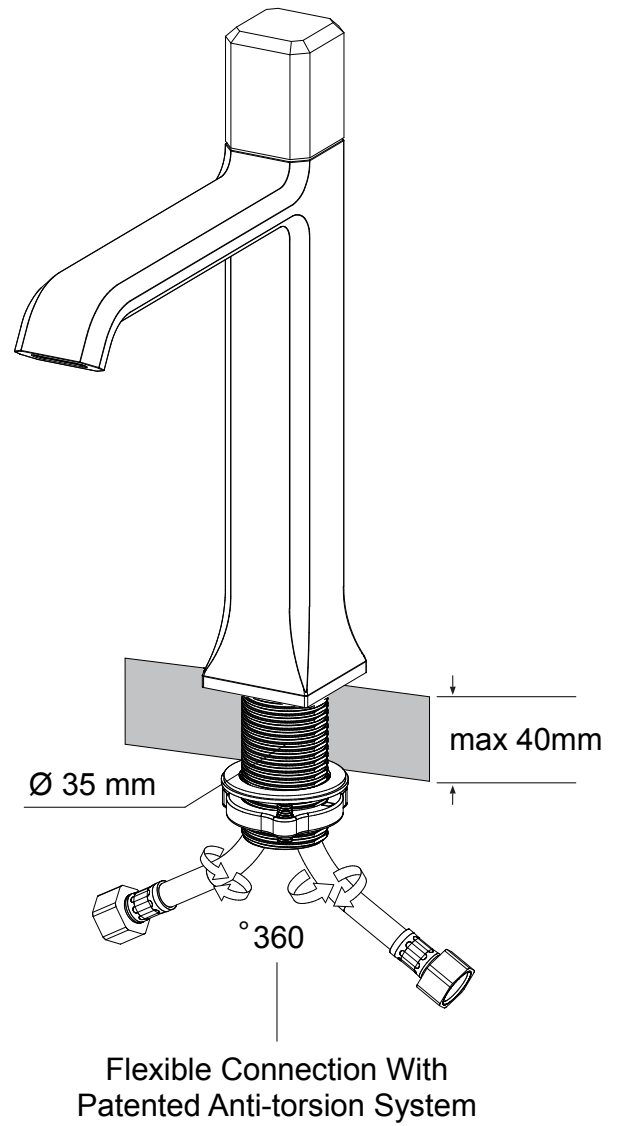
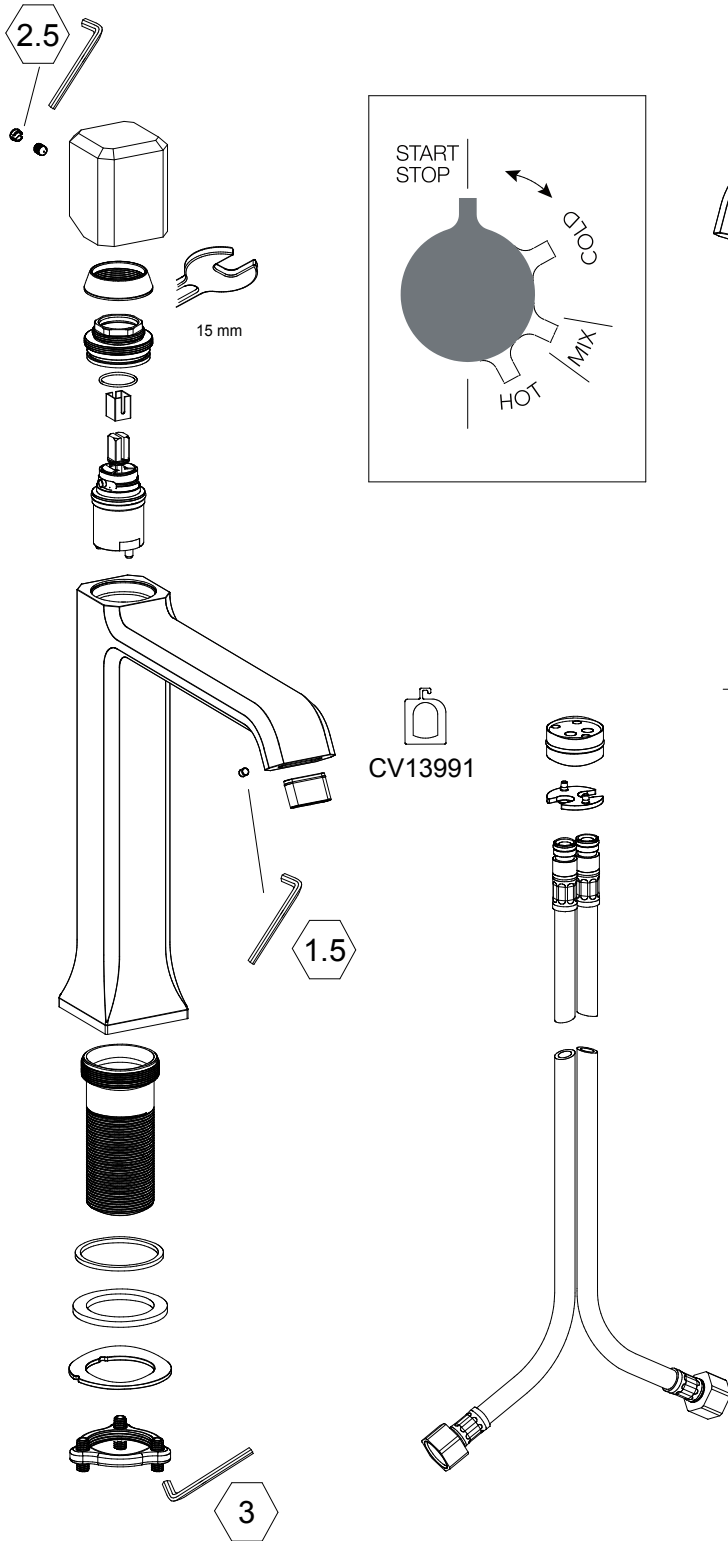
# Lorena-S-217

## 7.75" Sink Faucet

### INSTALLATION

aquatica®

*Function, Form & Fashion*



aquatica®

*Function, Form & Fashion*

# aquatica®

*Function, Form & Fashion*

